

Y2 系列高压三相异步电动机

Y2 SERIES HIGH-VOLTAGE THREE PHASE INDUCTION MOTOR

电压：3KV、6KV

防护等级：IP54

功率：160kW~1600kW

绝缘等级：F

频率：50Hz

极数：2、4、6、8P

使用条件：海拔不超过 1000m

工作制 S1 连续工作制

适用于：一般场所和无特殊要求的各种通用机械，如压缩机、水泵、破碎机、切削机床、运输机械及其它机械设备等。

Applications: General purpose including compressor, water pump, crack machine, cut machine, transportation machine and other equipments.

特点：外型美观，力能指标高，体积小、重量轻，高效节能，是 YKK 系列高压电机理想的升级换代产品。

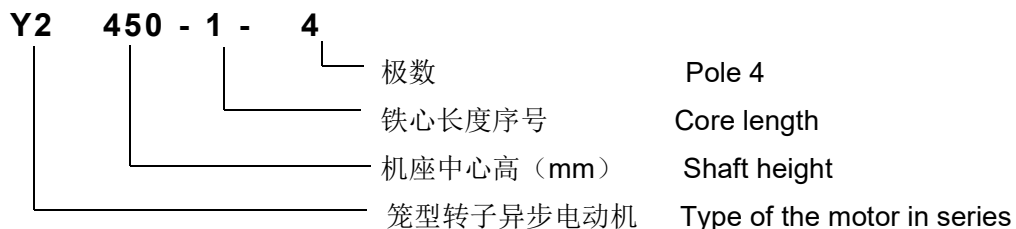
Features: High efficiency and energy saving and reliable performance, the motor is the new generation of YKK series motor, which has smaller volume and lighter weight.

使用条件：海拔不超过 1000m。环境温度随季节变化，但最高不超过+40℃。

Circumstance For Use: The altitude not exceeding 1000m above sea level. The ambient temperature subject to seasonal variations but not exceeding 40℃.



电动机型号含意 Designations of types



性能数据 Performance Data

6000V 50Hz

型号 Type	额定功率 kW	转速 r/min	满载时 Full Load			最大转矩 额定转矩	堵转转矩 额定转矩	堵转电流 额定电流
			电流 Current A	效率 Eff. %	功率因数 Power Factor cos Φ	Breakdown Torque Rated Torque	Locked Rotor Torque Rated Torque	Locked Rotor Current Rated Current
Y2-355 1-2	185	2982	22.6	93.9	0.84	3	0.7	7.0
Y2-355 2-2	200	2984	24.4	94.0	0.84	3.2	0.7	7.0
Y2-355 3-2	220	2979	26.8	94.2	0.84	2.6	0.7	7.0

Y2-355 4-2	250	2981	30.3	94.4	0.84	2.7	0.7	7.0
Y2-355 5-2	280	2977	33.1	94.6	0.86	2.4	0.7	7.0
Y2-400 1-2	315	2985	37.2	94.8	0.86	3	0.7	7.0
Y2-400 2-2	355	2985	41.9	94.9	0.86	3	0.7	7.0
Y2-400 3-2	400	2984	47.1	95.1	0.86	3	0.7	7.0

性能数据 Performance Data

6000V 50Hz

型号 Type	额定功率 kW	转速 r/min	满载时 Full Load			最大转矩 额定转矩	堵转转矩 额定转矩	堵转电流 额定电流
			电流 Current A	效率 Eff. %	功率因数 Power Factor cos Φ	Breakdown Torque Rated Torque	Locked Rotor Torque Rated Torque	Locked Rotor Current Rated Current
Y2-400 4-2	450	2984	52.9	95.2	0.86	3	0.7	7.0
Y2-450 1-2	500	2984	58.0	95.3	0.87	2.7	0.7	7.0
Y2-450 2-2	560	2984	64.9	95.4	0.87	2.8	0.7	7.0
Y2-450 3-2	630	2985	73.0	95.5	0.87	3	0.7	7.0
Y2-450 4-2	710	2986	82.1	95.7	0.87	3.2	0.7	7.0
Y2-500 1-2	800	2988	91.5	95.6	0.88	3	0.7	7.0
Y2-500 2-2	900	2988	102.8	95.7	0.88	3	0.7	7.0
Y2-500 3-2	1000	2988	114.0	95.9	0.88	3	0.7	7.0
Y2-500 4-2	1120	2988	127.6	96	0.88	3	0.7	7.0
Y2-560 1-2	1250	2990	140.6	96.1	0.89	3	0.8	6.5
Y2-560 2-2	1400	2990	157.2	96.3	0.89	3	0.8	6.5
Y2-560 3-2	1600	2990	179.3	96.5	0.89	3	0.8	6.5
Y2-355 1-4	185	1488	22.6	93.7	0.84	2.5	0.8	6.5
Y2-355 2-4	200	1488	24.4	93.9	0.84	2.4	0.8	6.5
Y2-355 3-4	220	1487	26.8	94.1	0.84	2.4	0.8	6.5
Y2-355 4-4	250	1488	30.4	94.3	0.84	2.2	0.8	6.5
Y2-355 5-4	280	1487	33.9	94.5	0.84	2.2	0.8	6.5
Y2-400 1-4	315	1489	37.7	94.6	0.85	2.5	0.8	6.5
Y2-400 2-4	355	1489	42.4	94.8	0.85	2.5	0.8	6.5
Y2-400 3-4	400	1490	47.7	95	0.85	2.5	0.8	6.5
Y2-400 4-4	450	1489	53.5	95.2	0.85	2.5	0.8	6.5
Y2-450 1-4	500	1488	58.7	95.3	0.86	2.2	0.8	6.5
Y2-450 2-4	560	1488	65.7	95.4	0.86	2.2	0.8	6.5
Y2-450 3-4	630	1489	73.8	95.5	0.86	2.2	0.8	6.5
Y2-450 4-4	710	1489	83.1	95.6	0.86	2.3	0.8	6.5
Y2-500 1-4	800	1492	93.5	95.7	0.86	2.3	0.8	6.5
Y2-500 2-4	900	1491	105.1	95.8	0.86	2.3	0.8	6.5
Y2-500 3-4	1000	1491	116.7	95.9	0.86	2.2	0.8	6.5
Y2-500 4-4	1120	1491	130.5	96	0.86	2.2	0.8	6.5
Y2-560 1-4	1250	1493	143.9	96.1	0.87	2	0.8	6.5
Y2-560 2-4	1400	1493	161.0	96.2	0.87	2	0.8	6.5
Y2-560 3-4	1600	1493	183.6	96.4	0.87	2	0.8	6.5

Y2-355 3-6	160	988	20.6	93.4	0.8	2.1	0.8	6.0
Y2-355 4-6	185	988	23.8	93.5	0.8	2.1	0.8	6.0
Y2-355 5-6	200	989	25.7	93.6	0.8	2.2	0.8	6.0
Y2-400 1-6	220	993	27.5	93.8	0.82	2.3	0.8	6.0
Y2-400 2-6	250	993	31.2	93.9	0.82	2.1	0.8	6.0

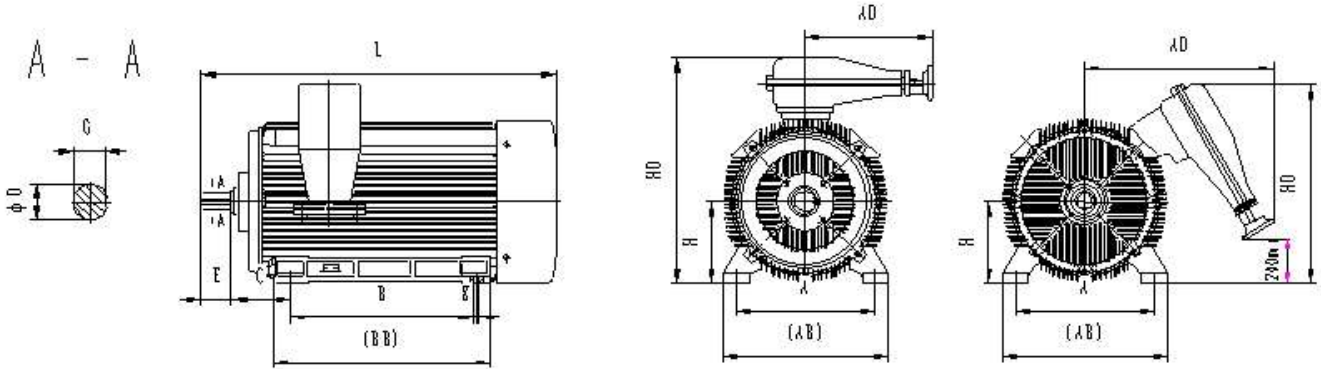
性能数据 Performance Data

6000V 50Hz

型号 Type	额定功率 kW	同步转速 r/min	满载时 Full Load			最大转矩 额定转矩	堵转转矩 额定转矩	堵转电流 额定电流
			电流 Current A	效率 Eff. %	功率因数 Power Factor cos Φ	Breakdown Torque Rated Torque	Locked Rotor Torque Rated Torque	Locked Rotor Current Rated Current
Y2-400 3-6	280	993	34.9	94.1	0.82	2.1	0.8	6.0
Y2-400 4-6	315	992	39.2	94.3	0.82	2	0.8	6.0
Y2-450 1-6	355	991	43.6	94.5	0.83	2.1	0.8	6.0
Y2-450 2-6	400	991	49.0	94.6	0.83	2.1	0.8	6.0
Y2-450 3-6	450	991	55.1	94.7	0.83	2.2	0.8	6.0
Y2-450 4-6	500	992	61.1	94.9	0.83	2.2	0.8	6.0
Y2-500 1-6	560	994	68.3	95.1	0.83	2.2	0.8	6.0
Y2-500 2-6	630	994	76.7	95.2	0.83	2.2	0.8	6.0
Y2-500 3-6	710	994	86.4	95.3	0.83	2.1	0.8	6.0
Y2-500 4-6	800	994	97.2	95.4	0.83	2	0.8	6.0
Y2-560 1-6	900	995	107.8	95.6	0.84	2.3	0.7	6.0
Y2-560 2-6	1000	995	119.7	95.7	0.84	2.3	0.7	6.0
Y2-560 3-6	1120	995	133.9	95.8	0.84	2.3	0.7	6.0
Y2-560 4-6	1250	995	149.3	95.9	0.84	2.3	0.7	6.0
Y2-400 1-8	160	744	21.7	93.2	0.76	2.2	0.8	5.5
Y2-400 2-8	185	743	25.1	93.3	0.76	2.1	0.8	5.5
Y2-400 3-8	200	743	26.7	93.5	0.77	2.1	0.8	5.5
Y2-400 4-8	220	743	29.3	93.7	0.77	2	0.8	5.5
Y2-450 1-8	250	744	32.8	93.9	0.78	2.1	0.8	5.5
Y2-450 2-8	280	743	36.7	94.1	0.78	2.1	0.8	5.5
Y2-450 3-8	315	743	41.3	94.2	0.78	2	0.8	5.5
Y2-450 4-8	355	743	46.4	94.4	0.78	2	0.8	5.5
Y2-500 1-8	400	744	51.6	94.5	0.79	2	0.8	5.5
Y2-500 2-8	450	745	57.9	94.6	0.79	2.3	0.8	5.5
Y2-500 3-8	500	745	63.4	94.8	0.8	2.1	0.8	5.5
Y2-500 4-8	560	745	71.0	94.9	0.8	2	0.8	5.5
Y2-560 1-8	630	746	78.7	95.1	0.81	2.1	0.7	5.5
Y2-560 2-8	710	746	88.5	95.3	0.81	2.1	0.7	5.5
Y2-560 3-8	800	746	99.6	95.4	0.81	2	0.7	5.5
Y2-560 4-8	900	746	111.8	95.6	0.81	2	0.7	5.5

外形及安装尺寸 Dimensions

mm



机座 Frame	极数 poles	安装尺寸 Mounting Dimension									外形尺寸 Overall Dimension				
		A	B	C	D	E	F	G	H	K	AD	HD	L	(BB)	(AB)
355	2	630±1.4	900±1.4	254±4	75 ^{+0.035} _{+0.013}	140±0.50	22 ⁰ _{-0.052}	67.5 ⁰ _{-0.2}	355 ⁰ _{-1.0}	28 ^{+0.5} ₀	860	1250	2000	1110	790
	4~6				100 ^{+0.035} _{+0.013}		28 ⁰ _{-0.052}	90 ⁰ _{-0.2}							
400	2	710±1.75	1000±1.75	280±4	85 ^{+0.035} _{+0.013}	170±0.50	22 ⁰ _{-0.052}	76 ⁰ _{-0.2}	400 ⁰ _{-1.0}	35 ^{+0.6} ₀	860	1340	2200	1200	870
	4~8				110 ^{+0.035} _{+0.013}		28 ⁰ _{-0.052}	100 ⁰ _{-0.2}							
450	2	800±1.75	1120±1.75	280±4	95 ^{+0.035} _{+0.013}	170±0.50	25 ⁰ _{-0.052}	86 ⁰ _{-0.2}	450 ⁰ _{-1.0}	35 ^{+0.6} ₀	930	1200	2310	1340	950
	4				120 ^{+0.035} _{+0.013}		32 ⁰ _{-0.062}	109 ⁰ _{-0.2}							
	6~8				130 ^{+0.040} _{+0.015}		32 ⁰ _{-0.062}	119 ⁰ _{-0.2}							
500	2	900±2.1	1250±2.1	C"±4	110 ^{+0.035} _{+0.013}	210±0.57	28 ⁰ _{-0.052}	100 ⁰ _{-0.2}	500 ⁰ _{-1.0}	42 ^{+0.6} ₀	970	1280	2610	1490	1080
	4			130 ^{+0.040} _{+0.015}	32 ⁰ _{-0.062}		119 ⁰ _{-0.2}								
	6~8			140 ^{+0.040} _{+0.015}	36 ⁰ _{-0.062}		128 ⁰ _{-0.3}								
560	2	1000±2.1	1400±2.1	C"±4	130 ^{+0.040} _{+0.015}	250±0.57	32 ⁰ _{-0.062}	119 ⁰ _{-0.2}	560 ⁰ _{-1.0}	42 ^{+0.6} ₀	1030	1380	2900	1680	1180
	4			150 ^{+0.040} _{+0.015}	36 ⁰ _{-0.062}		138 ⁰ _{-0.3}								
	6~8			160 ^{+0.040} _{+0.015}	40 ⁰ _{-0.062}		147 ⁰ _{-0.3}								

注：C"为采用滑动轴承电机的尺寸，其数值由制造厂和用户商定。